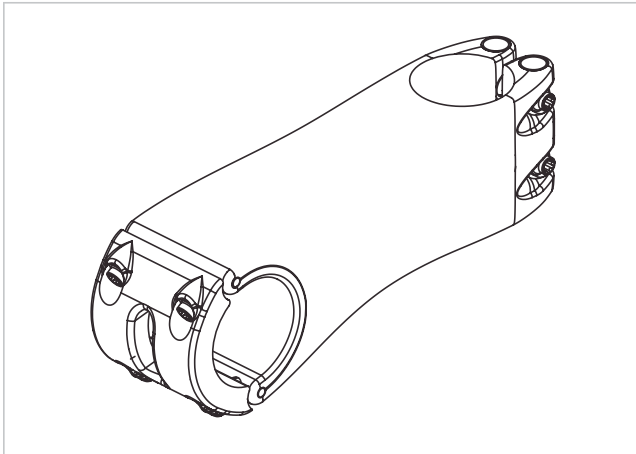




INSTRUCTION BOOK




THM TIBIA



THM Tibia en 300517-01

thm.bike

 Please bear in mind that your THM component is a lightweight construction manufactured from carbon – take this into account for assembly/maintenance work and when handling the product and proceed with caution!

INTRODUCTION
Preface..... 4

SAFETY
Intended use 5
Fundamental safety precautions..... 5
 Assembly & maintenance..... 5
 On the road 6
 Transport & storage..... 6

TECHNICAL SPECIFICATIONS
Delivery specifications..... 7
Dimensions 8
Tightening Torques 8

ASSEMBLY
Tibia assembly..... 9
 Installation on the steerer tube..... 9
 Installation of the handlebar..... 11

MAINTENANCE
Important maintenance information..... 12
 Disposal 13
Before every journey 13
Regular maintenance..... 14

WARRANTY
Materials defectliability 15
Warranty..... 15

Preface

This manual is an integral part of your THM component and it provides you with information regarding the safe operation of your THM-Tibia stem.

Carefully read this manual prior to assembling your THM components. Always read and observe all of the assembly and maintenance instructions in this manual, as well as those provided in the manuals of other manufacturers whose products are used on your bicycle (Fork, headset, handlebar, brake levers, etc.).

WARNING

Non-observance of the information contained in this manual could result in an accident and death or serious injury.

You will encounter the following symbols and references in this manual:

- The index finger instructs you to perform a particular action.
- The arrow indicates the consequence of your action.

WARNING

This safety message indicates a hazardous situation which, if not avoided, could result in death or serious injury.

CAUTION

This safety message indicates a hazardous situation which, if not avoided, could result in minor or moderate injury.

NOTICE

This message warns of a risk of material damage.



This refers to additional information or tips.

Retain this manual for other users of your THM components. Make sure that all users read, understand and observe this manual.

If you ever sell or give away your THM components, this manual should be transferred to the new owner.

We hope you get a lot of joy from your THM components!
Your THM-Carbones Team

Intended use

WARNING

Any use differing from that intended could cause an accident and result in death or serious injury.

The THM stem is approved for a total weight (bike+rider+luggage) up to 110 kg (242 lbs.) and can be used on road bikes. The stem must only be used with steer tubes of 28.6±0.1 mm (1 1/8 inch) diameter and handlebars of 31.8±0.1 mm (1 1/4 inch) diameter.

The THM stem is available in 80mm, 100mm, 110mm and 120mm.

Fundamental safety precautions

Always remember that riding a bicycle involves potential danger for the rider and other road users, as well as for the bicycle and its components.

Even if protective equipment and safety devices are used, accidents resulting in death or serious injury can still occur.

You should therefore use your common sense and avoid any unreasonable behaviour!

ASSEMBLY & MAINTENANCE

WARNING

Risk of accident caused by assembly and maintenance work which has not been conducted in a professional manner.

- Do not overestimate your technical ability. All assembly and maintenance work should be performed by a specialist workshop for bicycles. This is the only way to ensure the work is conducted in a professional manner.
- Always observe all of the specified tightening torques for the screw connections.
- Only ever use original THM components which are available from your specialist dealer or directly from THM.
- Never make any modifications to your THM components.
- Check your THM components before each journey to ensure the surfaces are completely undamaged. Send us your THM components for inspection before further use if damage is visible (cracks, fractures, deformations, deep scratches in the paintwork which extend into the carbon structure, large abrasions, etc.) or if you are in any doubt about their functionality.
- Always ensure your bicycle is maintained in a flawless condition. Care and maintenance will prolong the service life of your bicycle and its components and also improve your personal safety.

ON THE ROAD

⚠ WARNING

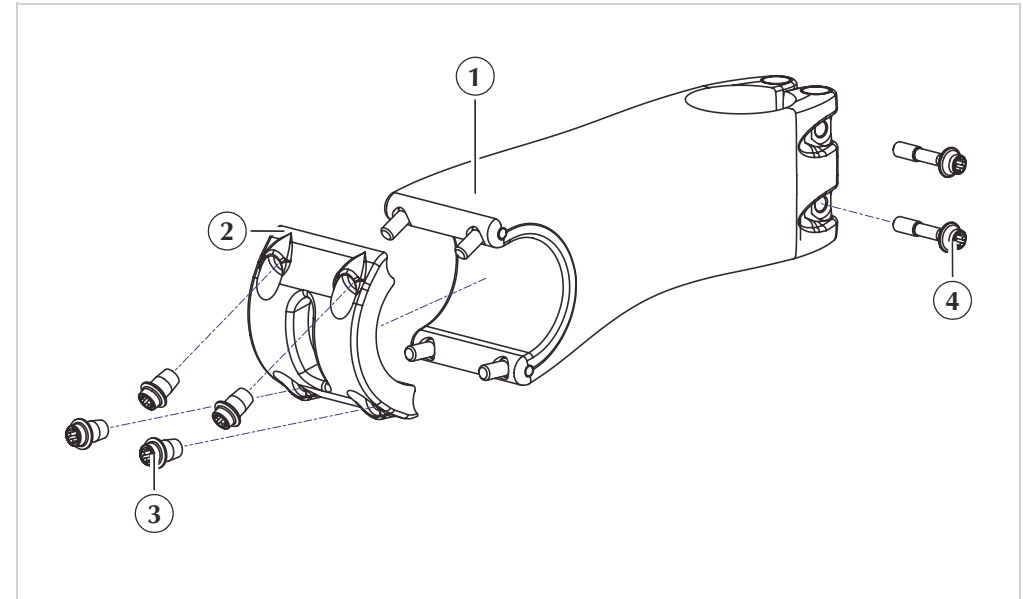
- Risk of accident caused by erratic riding behaviour or improper equipment.
- Always ride with foresight, attention and a readiness to brake.
 - Adjust your speed to the prevailing conditions (traffic, weather, visibility, etc.).
 - Do not use your THM-Tibia stem at ambient temperatures below -10°C (14 °F).
 - Do not exceed the maximum rider weight for which your THM components have been approved
 - see **Dimensions**, page 8.
 - Do not perform jumps with your bicycle as this generates an enormous amount of force.
 - Always comply with the traffic regulations that are in force in the country where you are using your bicycle.
 - When riding your bicycle you should always wear a high quality cycling helmet (e.g. ANSI certified) that is in excellent condition. Your clothing should be close-fitting but not restrictive.
 - Only ride your bicycle if you are in good physical condition and your bicycle and all of its components are operating in a flawless manner.
 - If you are involved in a heavy fall you should not continue to ride your bicycle. If such a case occurs, send us your THM components for inspection, even if no external damage is visible. In your own interest you should treat all of the components on your bicycle which have been produced by other manufacturers in the same manner.

TRANSPORT & STORAGE

⚠ WARNING

- Risk of accident caused by damaged bicycle components.
- Always transport your bicycle in an appropriate and careful manner.
 - Do not store your THM components at an ambient temperature below -15°C (5°F) or above 55°C (131°F).
- Risk of accident.
- Do not allow children to play with your bicycle.

Delivery specifications

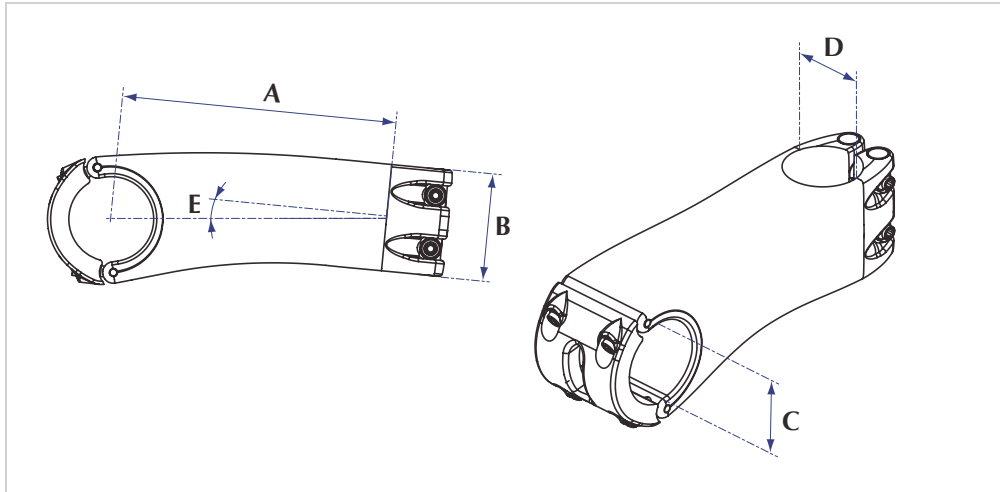


- 1** Body
 - 2** Faceplate
 - 3** Faceplate bolts (×4)
 - 4** Clamping screws (×2)
- Instruction book

The faceplate is designed to be compatible with Bar Fly Direct stem mount.

Please look up at the Bar Fly Website: www.barflybike.com/

Dimensions



A Length		80	100	110	120
B Stack	mm	40			
C Ø Clamp diameter		31,8			
D Ø Steerer diameter	"	1 - 1/8			
E Angle	°	±6°			
Weight ±5%	g	76	81	84	87
Total weight, max.**	kg	110			

* Technical specifications, dimensions and weights are to be understood with the corresponding tolerances and can differ slightly from your THM components.

** Total weight = rider + bicycle + luggage

Tightening Torques

WARNING

Risk of accident caused by a malfunctioning stem system due to loose screw connections.

- Check the required tightening torque of all screw connections after the first 100 km
- Retighten the connections if necessary. Repeat this check every 2500km!

	N·m (lbf ·in) min. - max.	
Faceplate bolt	4 (36)	with thread lock
Clamp screws	4 (36)	

Tibia assembly

WARNING

If not properly performed, assembly and maintenance work could cause accidents resulting in death or serious injury.

- Do not overestimate your technical ability. All assembly and maintenance work should be performed by a specialist workshop for bicycles. This is the only way to ensure the work is conducted in a professional manner.

INSTALLATION ON THE STEERER TUBE

WARNING

There is a risk of accident due to sudden unexpected failure of the stem while riding if any carbon fibers on the stem are damaged during any installation procedure.

- Before starting work, make sure that the steer tube is compatible with the stem.
- Remove sharp edges and burrs and any other contamination / grease from the steer tube before starting assembly.
- Be particularly attentive to cutting edges of shortened steer tubes and rework the edges if necessary.
- Never exceed the max. permissible height of the lower spacers. (fig. 1)
- Never exceed the max. permissible overlap of the top spacer or stem. (fig. 1)
- Never exceed the tightening torque of 6N·m under any circumstances when tightening the top cap adjusting screw. (fig. 2)
- Never exceed the tightening torque of 4N·m when tightening the clamping screws on the stem. (fig. 3)

There is a risk of accident due to sudden unexpected loss of control while riding if the stem slips on the fork steerer.

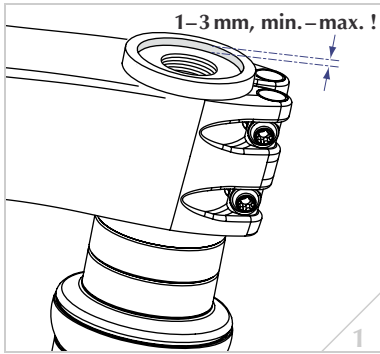
- Never apply any lubricant or grease to the steerer tube.

WARNING

The THM Tibia stem has to be mounted with carbon assembly paste.

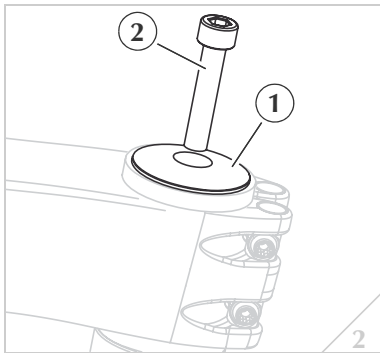


Applying an appropriate carbon assembly paste between the stem clamping area and steerer tube enables the required tightening torque to be reduced to achieve the same clamping force.



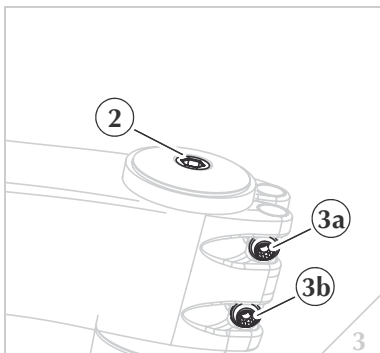
- ✦ Install the stem on the steer tube until it audibly contacts the top spacer or the steer bearing.
- ✦ Make sure that an overlap of **1mm to max. 3mm** is present between the upper edge of the top spacer (recommended!) and between the upper edges of the stem and steerer tube.

(fig. 1)



- ✦ Install the headset cap **(1)**.
- ✦ Drive in the top cap adjusting screw **(2)** (clockwise).
- ✦ Set the bearing clearance.

(fig. 2)

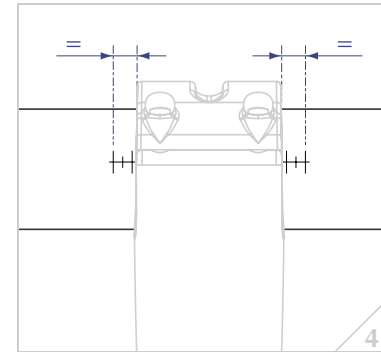


- ✦ Tighten the two clamping screws **(3a)+(3b)** alternately to a tightening torque up to max. 4 Nm.

(fig. 3)

- ✦ Make sure that the assembly is locked against rotation.
- ✦ The length of the clamping surface of the steer tube should at least be 41 mm.

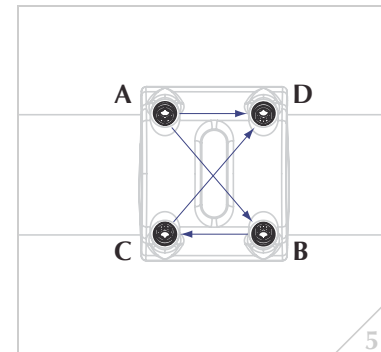
INSTALLATION OF THE HANDLEBAR



- ✦ Slacken the clamping screws which fix the handlebar to the stem and push the handlebar in the stem from the front.

- ✦ Align the handlebar centrally.

(fig. 4)



- ✦ Tighten the clamping-screws (A-B-C-D) of the handlebar clamp alternately crosswise up to max. 4 Nm.
- ✦ Do not exceed the maximum permitted tightening torque.

(fig. 5)

- ✦ The length of the clamping surface of the handlebar should at least be 40 mm.
- ✦ Make sure the distance between faceplate and stem is even.

Important maintenance information

WARNING

If not properly performed, assembly and maintenance work could cause accidents resulting in death or serious injury.

- Do not overestimate your technical ability. All assembly and maintenance work should be performed by a specialist workshop for bicycles. This is the only way to ensure the work is conducted in a professional manner.

Improperly performed assembly and maintenance work could also result in a loss of your warranty rights (liability for defects)!

WARNING

Risk of accident caused by damaged components.

- Never attempt to disassemble your THM-Tibia stem - only THM employees are authorised to do this.
- Always read and observe all of the assembly and maintenance instructions in this manual, as well as those provided in the manuals of other manufacturers whose products are used on your bicycle (frame, fork, headset, etc.).
- Always observe the minimum and maximum values specified - see **Technical specifications**, from page 8.
- When conducting assembly steps that require a specific tightening torque, always use an appropriate torque wrench that is designed for the tightening torque specified.
- Only ever use original THM components which are available from your specialist dealer or directly from THM.

Always ensure your bicycle is maintained in a flawless condition. Care and maintenance will prolong the service life of your bicycle and its components and also improve your personal safety!

If you suspect that your bicycle is defective or is not functioning properly, stop using it and contact a specialist bicycle workshop immediately!

NOTICE

Never use a high-pressure cleaner or steam cleaner to clean your bicycle, as the seals of your bicycle components are not able to withstand the pressure. If such cleaners are used, it would result in corrosion and material damage.

Never use caustic solvents (such as paint thinners, acetone, nitro compounds, etc.) as they can attack the surface of your THM components.

Only use commercially available paint care products and water to clean your THM components. Spirit or petrol should be used carefully - when using such products avoid excessive wiping and prolonged exposure times.

DISPOSAL

If THM components are defective or no longer in use, you can dispose of them with your non-recyclable waste or domestic refuse, or ask a local waste disposal company for other disposal methods (e.g. recycling).

Before every journey

WARNING

Risk of accident caused by material damage or improper assembly.

- Check to ensure the quick release elements and your wheels have been firmly and correctly secured.
- Check your stem to make sure they are undamaged and functioning properly every time you use your bike. Send us your THM-Tibia stem before further use if damage is visible (cracks, fractures, deformations, etc.) or if you are in any doubt about their functionality.
- Check your THM components before each journey to ensure the surfaces are completely undamaged. Send us your THM components for inspection before further use if damage is visible (deep scratches in the paintwork which extend into the carbon structure, large abrasions, etc.) or if you are in any doubt about their functionality.
- Do not exceed the max. total weight for which your THM components have been approved - see **Dimensions**, page 8.

Regular maintenance

The maintenance intervals required for your bicycle depend on how often and in which weather conditions it is used.

The following maintenance measures should be conducted more frequently if the bicycle is used in extreme conditions (rain, dirt, long distances, etc.).

When conducting regular maintenance procedures make sure your bicycle is always clean and well protected by lubricants and cleaning agents. Ask your specialist dealer about appropriate lubricants and cleaning agents as well as information relating to their correct application.

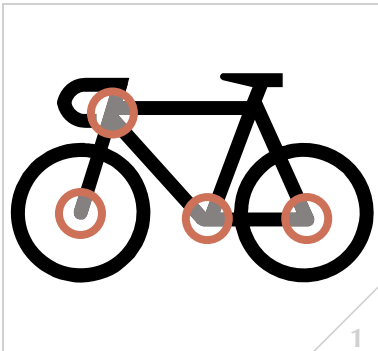
WARNING

Risk of accident caused by a malfunctioning crank and stem system due to loose screw connections.

- Check the required tightening torque of all screw connections after the first 100 km
- Retighten the connections if necessary. Repeat this check every 2500km!

Risk of accident caused by malfunctioning brakes.

- After conducting any cleaning, maintenance or repair work make sure that the braking rims of your wheels are free from lubricants (such as grease, oil, silicon, Teflon, wax or other similar agents).



NOTICE

If you are using a hose, handle it with care - never aim the hose directly at the bearing components (fig. 1).

- Clean your THM-components at regular intervals by using water and a non-abrasive, environmentally friendly cleaning agent.
- When cleaning your THM components always check for signs of damage (dents, cracks, scratches, large abrasions, worn areas, etc.).
- Periodically preserve the surface of your THM components using a high quality protecting wax or other similar agent.

Materials defect liability

We provide a 24-month warranty for all THM products which covers material and processing defects.

During this period all products accepted to be defective are replaced at no cost to the user.

The liability period starts at the time the relevant THM product was purchased. Liability does not extend to any kind of damage caused by accidents, modifications, negligence or improper handling and use.

Liability shall expire if repair work or any other work on the THM product has been conducted by unauthorised persons.

The same shall also apply to any direct or indirect damage resulting from an action described in the preceding sentence.



Please contact us **before** returning a defective THM product!

If products are returned without our previous agreement, the shipping costs incurred will be charged to your account!

Warranty

Minor damage to your THM products will be repaired by our workshop free of charge even after expiration of the 24-month liability period, provided that the work required does not exceed 0.5 hrs.

The decision regarding whether or not a repair is to be carried out free of charge rests solely with us.

If the damage has been self-inflicted, there is no entitlement to free repair work!

In the event of self-inflicted damage please send us the product concerned for inspection. We will then assess the level of work required and either perform the repair free of charge or send you a quotation. It is then up to you to decide whether or not to go ahead with the repair work.

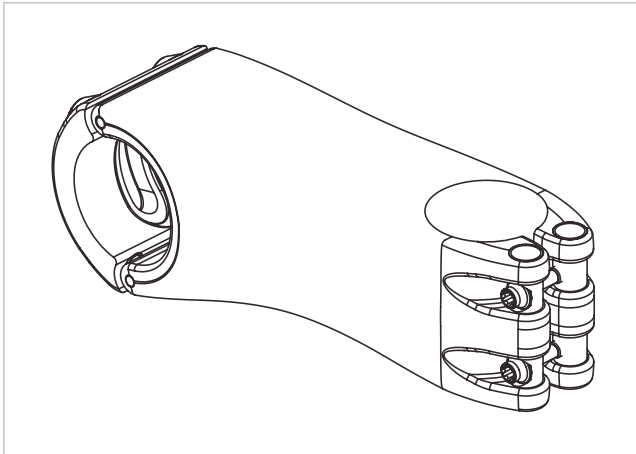
When returning a damaged product to us please ensure adequate postage costs are provided.

Any shipment which is not prepaid will be rejected and returned to the sender! In the event of irreparable damage (e.g. caused by an accident) we will provide a 40% discount from the respective list price if you purchase a new THM product as a replacement.

The relevant claim must be forwarded directly to THM Faserverbund-Technologie GmbH. The irreparable product shall then remain our property.

The company THM Faserverbund-Technologie GmbH is constantly striving to improve product designs as technical developments continue. We therefore reserve the right to make alterations which must not correspond to the text and illustration contained in this manual, and without incurring obligation to alter any products previously delivered. Technical specifications, dimensions and weights are to be understood with the corresponding allowances.

Reproduction or translation of this publication, in whole or in part, is not permitted without the written consent of the company THM Faserverbund-Technologie GmbH. All rights under the provisions of the copyright act are reserved.



THM Faserverbund-Technologie GmbH
Am Sportplatz 3
D-24791 Alt Duvenstedt

info@thm.bike

www.thm.bike